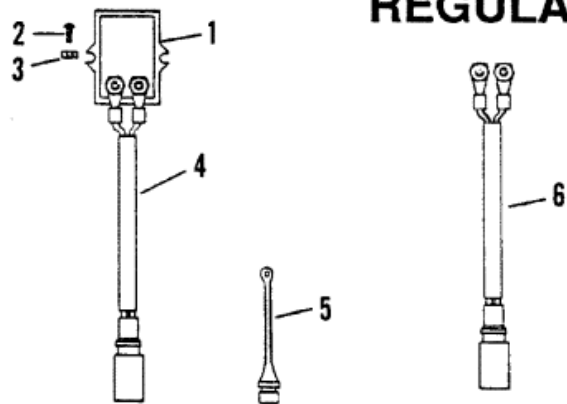


REGULATOR LIGHTING KIT



Parts List						
Ref	Class	Part	Description	Qty	Comment	Footnote
-		95845A	REGULATOR LIGHTING KIT	1		
1		95845	VOLTAGE REGULATOR	1		
2	10	92799	SCREW (1")	2		
3	11	45076	NUT	2		
4	84	74725A	HARNES ASSEMBLY (BLACK/	1		
5		71663	PLUG	1		
6	84	65017A	LIGHTING HARNESS (EXTERN	1		